

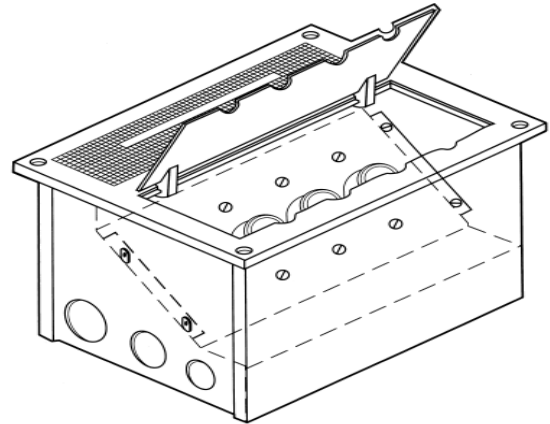
FLOOR POCKETS

15-50 amp U-ground or Twistlock or Pin Connector



FEATURES

- Range of permanent flush floor pockets
- Code gauge steel back box in semi-gloss black
- U-ground, grounding TL and Pin connectors
- Rugged cast iron non-skid tread cover plate
- Hinged cover has integral cast hinges and cable notches
- Connectors are mount on angled insert for ease of use
- Three conduit knockouts on each end; four knockouts on bottom

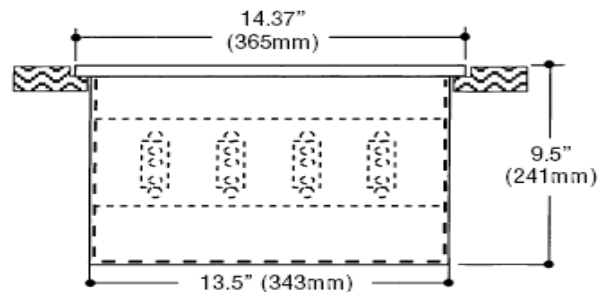
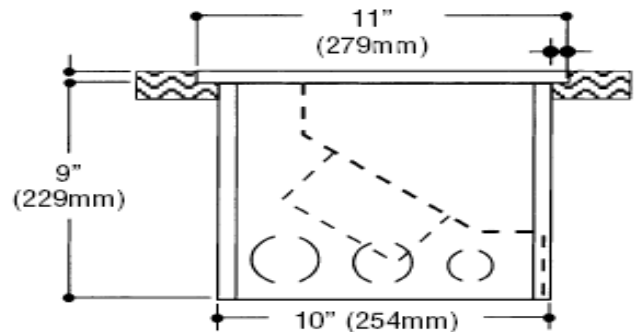


FLOOR POCKETS

Floor pockets provide concealed power at floor level for a wide range of applications. A variety of standard connector configurations available. Custom connectors available on order.

NOTE:

1. For use with custom connector configurations and inserts, the backbox, door and frame are available separately. Contact Arkadium for details and insert availability.
2. If required, a voltage barrier can also be added, allowing a low voltage control receptacle (for console input, hand-held remote, etc.) to be mounted next to power receptacles.



ARKADIUM

449 Laird Road, Unit #3

Guelph, Ontario N1G 4W1

Tel: (519) 837-8367 Fax: (519) 837-2487 www.arkadiumdistro.com

The Company reserves the right to make any variation in design or construction to the equipment described.

FLOOR POCKETS



15-50 amp U-ground or Twistlock or Pin Connector

ORDERING INFORMATION

CAT NO.	DESCRIPTION
AK/96769-02	Floor Pocket — w/2-15 A U-Ground connectors
AK/96710-02	Floor Pocket — w/2-20A Flush GTL connectors
AK/96710-03	Floor Pocket — w/3-20A Flush GTL connectors
AK/96710-04	Floor Pocket — w/4-20A Flush GTL connectors
AK/96710-06	Floor Pocket — w/6-20A Flush GTL connectors

ARKADIUM

449 Laird Road, Unit #3
Guelph, Ontario N1G 4W1

Tel: (519) 837-8367 Fax: (519) 837-2487 www.arkadiumdistro.com

The Company reserves the right to make any variation in design or construction to the equipment described.