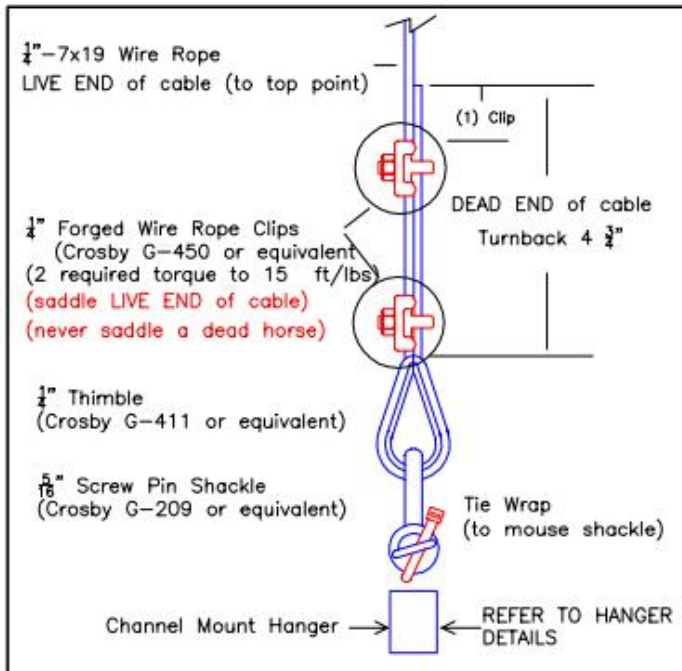
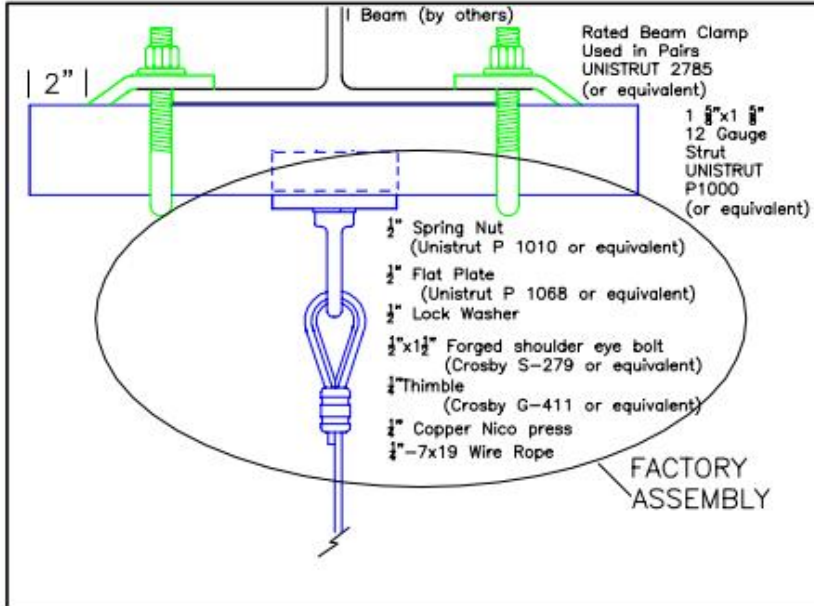


KIT # 1 STRUT TO I BEAM-700

AK/9215001-015



(typical bottom point)

KIT INCLUDES

- (2) 1 1/8"x1 1/8" Strut Beam Clamps
(Unistrut 2785 or equivalent)
- (12") 1 1/8"x1 1/8" 12 Gauge Strut
(Unistrut P1000 or equivalent)
- (1) 1/2" Spring Nut
(Unistrut P1010 or equivalent)
- (1) 1/2" Flat Plate
(Unistrut P1068 or equivalent)
- (1) 1/2" Lock Washer
- (1) 1/2"x 1 1/2" Forged Shoulder Eye Bolt
(Crosby S-279 or equivalent)
- (1) 1/2" Thimble HD
(Crosby G-411 or equivalent)
- (1) 1/2" Copper Nico
- (16') 1/2" 7x19 Galvanized Wire Rope
(nominal breaking strength)
(4200lbs/1900kg)
- (2) 1/2" Forged Wire Rope Clips
(Crosby G-450 or equivalent)
- (1) 1/2" Thimble
(Crosby G-411 or equivalent)
- (1) 5/16" Screw Pin Shackle
(Crosby G-209 or equivalent)
- (1) Nylon Tie Wrap (mouse)

RATED LOAD
700lbs (317kg)
INCLUDES SAFETY FACTOR of (8)



THIS DRAWING IS THE PROPERTY OF ARKADIUM INC. ANY USE AND/OR REPRODUCTION OR THE DESIGNS CONTAINED HEREIN WITHOUT WRITTEN CONSENT OF ARKADIUM INC IS PROHIBITED. ARKADIUM IS NOT RESPONSIBLE FOR THE UNAUTHORIZED USE AND/OR ALTERATION OF THIS DRAWING OR THE DESIGNS CONTAINED WITHIN. THE DRAWING IS SUBJECT TO REVIEW AND FINAL APPROVAL BY THE PROJECTS ARCHITECT AND/OR ENGINEER.

see reverse for installation notes

ARKADIUM
67 Watson Road South
Unit #7 Guelph
N1L 1E3

519-837-8367
519-837-2457 (fax)
www.arkadiumdistr.com

DRAWN BY:

TITLE CHANNEL MOUNT RIGGING KITS
SYSTEM REV_01

SHEET SHT
JOB # JOB#

DATE
SCALE

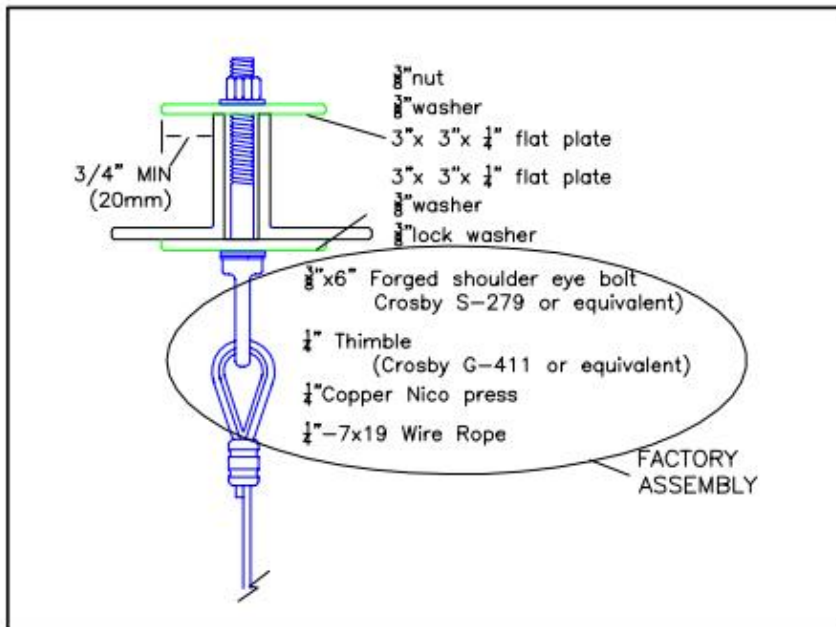
SCALE

JOBNAME
LOCATION

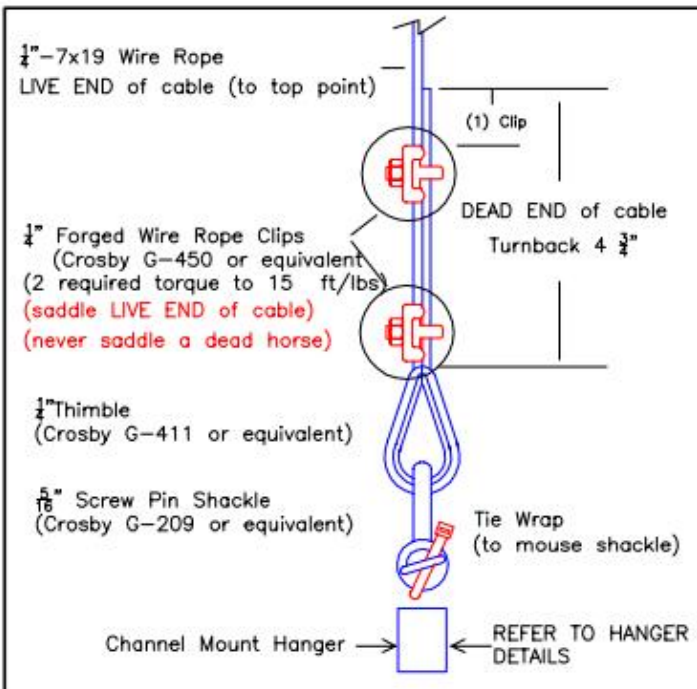
KIT # 2 OPEN WEB JOIST-700

AK/9215102-015

KIT INCLUDES



- (1) 3/8" Nut
- (1) 3/8" Lock Washer
- (1) 3/8" Flat Washer
- (2) 3"x3"x1/4" Flat Plate
- (1) 3/8"x 6" Forged Shoulder Eye Bolt
(Crosby G-277 or equivalent)
- (1) 1/4" Thimble HD
(Crosby G-411 or equivalent)
- (1) 1/4" Copper Nico
- (16') 1/4" 7x19 Galvanized Wire Rope
(nominal breaking strength)
(4200lbs/1900kg)
- (2) 1/4" Forged Wire Rope Clips
(Crosby G-450 or equivalent)
- (1) 1/4" Thimble
(Crosby G-411 or equivalent)
- (1) 5/16" Screw Pin Shackle
(Crosby G-209 or equivalent)
- (1) Nylon Tie Wrap (mouse)



RATED LOAD
700lbs (317kg)
INCLUDES SAFETY FACTOR of (8)



(typical bottom point)

THIS DRAWING IS THE PROPERTY OF ARKADIUM INC. ANY USE/AND OR REPRODUCTION OR THE DESIGNS CONTAINED HEREIN WITHOUT WRITTEN CONSENT OF ARKADIUM INC IS PROHIBITED. ARKADIUM IS NOT RESPONSIBLE FOR THE UNAUTHORIZED USE AND/OR ALTERATION OF THIS DRAWING OR THE DESIGNS CONTAINED WITHIN. THE DRAWING IS SUBJECT TO REVIEW AND FINAL APPROVAL BY THE PROJECTS ARCHITECT AND/OR ENGINEER.

see reverse for installation notes

ARKADIUM

67 Watson Road South
Unit #7 Guelph
N1L 1E3

519-837-8367
519-837-2457 (fax)
www.arkadiumdstro.com

DRAWN BY:	TITLE CHANNEL MOUNT RIGGING KITS	SHEET SHT
	SYSTEM REV_01	JOB # JOB#
DATE	JOB NAME	
DATE		
SCALE		
SCALE	<i>JOBNAME</i> LOCATION	

INSTALLATION NOTES

TOP POINTS

Kit # 1-Strut to I Beam
AK/9215001-15 Top Hanger

Install Strut on Bottom Flange of I Beam Using pair of Beam Clamps (supplied)
(space along beam per loading chart 10'/3900mm Max CC)
Square Strut to Beam, Snug Clamps to Beam Flange,
Tighten Nuts Evenly and to Specified Torque (19 ft/lbs)

Kit # 2 Open Web Steel Joist
AK/9215001-15 Top Hanger

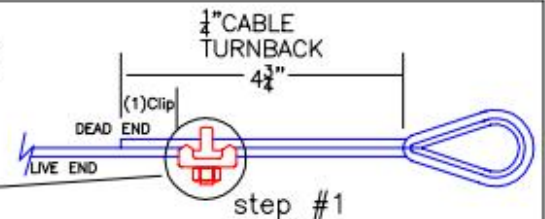
Install Eye Bolt through Joist using 3"x3" Plates to Sandwich Joist (supplied)
(space along beam per loading chart 10'/3900mm Max CC)
Square 3" x 3" Plates to Flange (assure Min 3/4"/20mm overhang)
Tighten Nut to Specified Torque (19 ft/lbs)

BOTTOM POINTS

Install All Top Points Along Beam
Install Thimbles and Cable Clips (Evenly Tighten Clips-DO NOT TORQUE)
Apply Temporary Load (22lbs/10kg)
Trim to Desired Height From Stage Floor (Assure Wire Rope Has Stretched Out)
Evenly Tighten Clips to Recommended Torque (15 ft/lbs)
Remove Temporary Load
Install SH/DH Hangers using $\frac{5}{16}$ " Shackle
Mouse Shackle with Tie Wrap
Tape Rope Tail to Load Line (to prevent fraying of rope end)

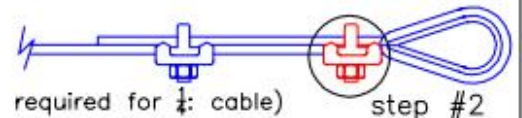
CABLE CLIPS

1. Turn back specified length of rope from thimble ($4\frac{3}{4}$ " for $\frac{1}{2}$ " cable)
and apply first clip one saddle width from seized dead end.
Tighten nuts evenly to specified torque. (15 lbs for $\frac{1}{2}$ " cable)



Important: Seat "live end" of wire rope (load carrying part)
in saddle and position U-bolt over "dead end".

2. Apply second clip close to the thimble without binding on it.
Turn on nuts firmly but do not tighten yet to recommended torque.
3. Apply all other clips, equally spaced between first two clips. (only (2) required for $\frac{1}{2}$ " cable)
4. Apply light tension and tighten all nuts evenly to specified torque. (15 lbs for $\frac{1}{2}$ " cable)



5. Recheck and re-tighten nuts after initial load.
This load should be at least equal to loads expected in general use.
Wire rope will stretch slightly causing a reduction in diameter which will slacken the clips.
Nuts must be checked at frequent intervals for tightness to assure efficiency of termination.